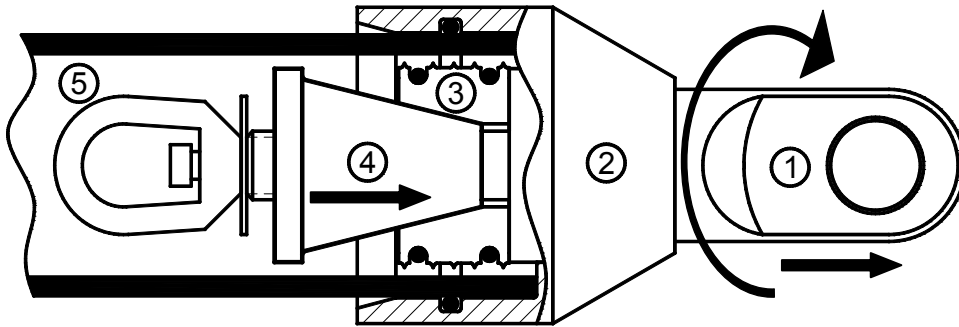


# OPERATING, SAFETY AND SERVICE INSTRUCTION MANUAL

**DCD** Design & Manufacturing Ltd.

Series 00650 Dub-Wise™  
Duct Puller / Imperial Series



Series 00650 Dub-Wise™ Pullers are designed for pulling non-metallic duct. The Dub-Wise™ pulls, seals (tested to over 60 p.s.i.), and prevents the duct from stretching utilizing the outer body. This design also features a full size rear eye nut for back loads.

1. HEAD
2. BODY
3. JAWS
4. MANDREL
5. TAILPIECE

## SELECTION / INSTALLATION

1. Collapse the expanding jaws by gripping the mandrel and body of the puller and turn the head in a counter clockwise direction.
2. Attach pull tape to the tailpiece if desired.
3. Insert the puller over the duct until it butts up to the inside face of the body. Tap the head with a hammer if necessary.
4. Grip the body of the puller, pull the head outward while rotating in a clockwise direction until you feel the jaws make contact with the inside diameter of the duct. Continue to rotate until tight.
5. To remove the puller, grip the body and turn the head counter clockwise until the jaws release. Remove the puller from the duct. If the jaws have not disengaged, tap lightly with a hammer on the outside of the duct.

Dub-Wise™ Duct Puller Part Number	Nominal Duct Diameter	Net Weight
00650-125	1-1/4"	2.2 lb. 0.99 kg
00650-150	1-1/2"	2.5 lb. 1.13 kg
00650-200	2"	4.2 lb. 1.91 kg
00650-250	2-1/2"	5.7 lb. 2.6 kg
00650-300	3"	9 lb. 4.1 kg
00650-400	4"	22 lb. 10.0 kg
00650-500	5"	32 lb. 14.5 kg
00650-600	6"	47 lb. 21.3 kg



## OPERATION



1. Polyethylene ducting is subject to creep failure at stress levels well below its yield strength. The following table contains recommended maximum loads that are based on 40% of the yield strength of polyethylene pipe conforming to ASTM D1248 Grade P34. Exceeding these values may cause permanent deformation to the pipe. These values may vary depending on the properties of your specific pipe. For values applicable to your pipe, consult the pipe manufacturer.

2. **DO NOT USE THIS PRODUCT WITH STEEL PIPE.**

3. This product **must not** be used if the pulling mechanism functions in a **counter clockwise rotation**. This will cause the Dub-Wise™ puller to loosen its grip within the duct.

4. A swivel must **always** be used between the Dub-Wise™ puller and the pulling mechanism to avoid severe damage to the duct and the Dub-Wise™ puller as well as extreme likelihood of personal injury.

Nominal Duct Diameter	Dub-Wise™ Part Number	Safe Ⓞ Working Limit	Maximum Recommended Load for Polyethylene Pipe				
			SDR 9	SDR 11	SDR 13.5	SDR 15.5	SDR 17
1-1/4"	00650-125	3100 lb. 13.8 kN	1120 lb. 4.98 kN	1040 lb. 4.63 kN	880 lb. 3.91 kN	800 lb. 3.56 kN	N/A
1-1/2"	00650-150	3600 lb. 16.0 kN	1430 lb. 6.36 kN	1260 lb. 5.60 kN	1100 lb. 4.89 kN	940 lb. 4.18 kN	N/A
2"	00650-200	5600 lb. 24.9 kN	2240 lb. 9.96 kN	1960 lb. 8.72 kN	1640 lb. 7.30 kN	1450 lb. 6.45 kN	1340 lb. 5.96 kN
2-1/2"	00650-250	8200 lb. 36.5 kN	3280 lb. 14.59 kN	2750 lb. 12.23 kN	2410 lb. 10.72 kN	5280 lb. 23.49 kN	4900 lb. 21.80 kN
3"	00650-300	12200 lb. 54.3 kN	4870 lb. 21.66 kN	4250 lb. 18.90 kN	3560 lb. 15.84 kN	3100 lb. 13.79 kN	2880 lb. 12.81 kN
4"	00650-400	20100 lb. 89.4 kN	8040 lb. 37.76 kN	6960 lb. 30.96 kN	5890 lb. 26.20 kN	5070 lb. 22.55 kN	4750 lb. 21.13 kN
5"	00650-500	30700 lb. 136.6 kN	12300 lb. 54.71 kN	10280 lb. 45.73 kN	9010 lb. 40.08 kN	7920 lb. 35.23 kN	7210 lb. 32.07 kN
6"	00650-600	43600 lb. 193.9 kN	17430 lb. 77.53 kN	14590 lb. 64.90 kN	12770 lb. 56.80 kN	10650 lb. 47.37 kN	10300 lb. 45.82 kN

ⓄThe **Safe Working Limit** of the puller is calculated using a 3:1 safety factor based on the ultimate load.

ⓅThe **Ultimate Load** is the tensile loading required to separate the puller into two or more parts.

Operation of the puller at loads in excess of its **Safe Working Limit** may cause permanent damage and the warranty will be voided.



1. Certain factors may cause the pull to separate and release the stored energy of the duct, rope, chain or cable. Make sure that all components of the pulling system are able to withstand the maximum pulling loads. Components not rated for the pull force may break and release the stored energy of the pull. Never use a worn, defective or incomplete component.

2. Be prepared for the unexpected. Always use recognized safety practices and wear recognized safety equipment.

## SERVICE



1. To maintain this product in the best possible condition, a light smear of grease should be applied to the surface of the taper on the mandrel and the thread it rides on after each use.