

**AMERICAN AVK TRAFFIC SECTION REPAIR KIT
FOR DRY BARREL HYDRANTS**
For all AVK Dry Barrel Hydrants

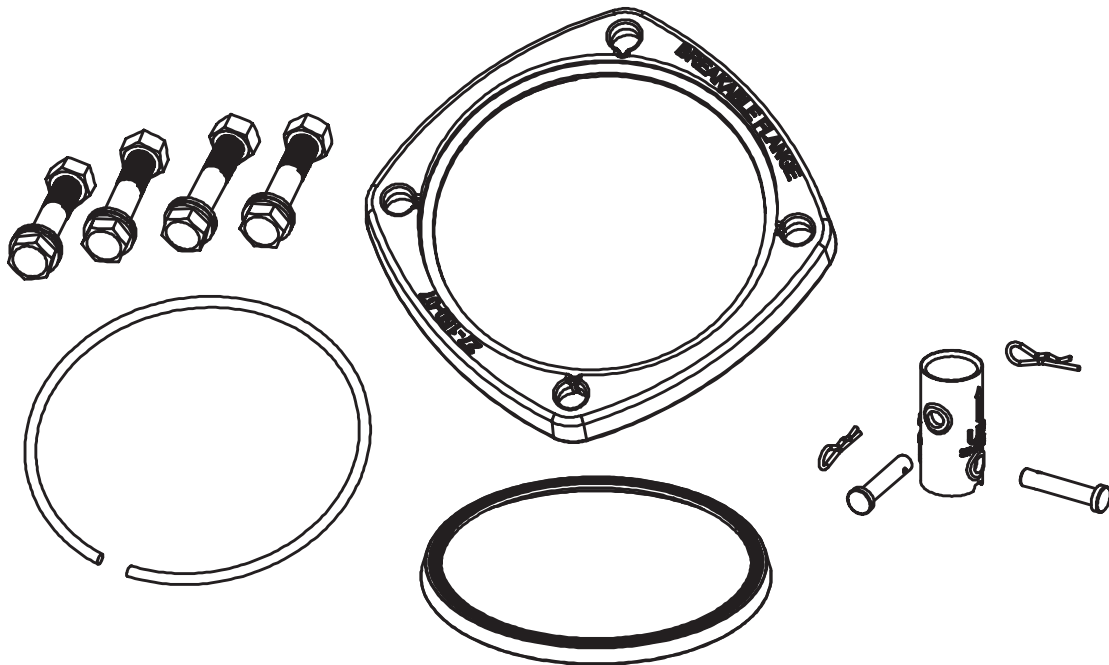
**27/75X
DBHTRAFFIC**

Standard Materials:

Breakable Flanges	Ductile Iron ASTM A536
Breakable Coupling, Coupling Pins, Lock Rings, Spring Pins	Stainless Steel
Bolts, Nuts, Washers	Zinc plated steel
Barrel Gasket	Nitrile rubber with stainless steel insert
Coatings	Breakable Flanges - Fusion bonded epoxy coated.

Optional Materials:

Bolts, Nuts, Washers	Stainless steel, 304
----------------------	----------------------

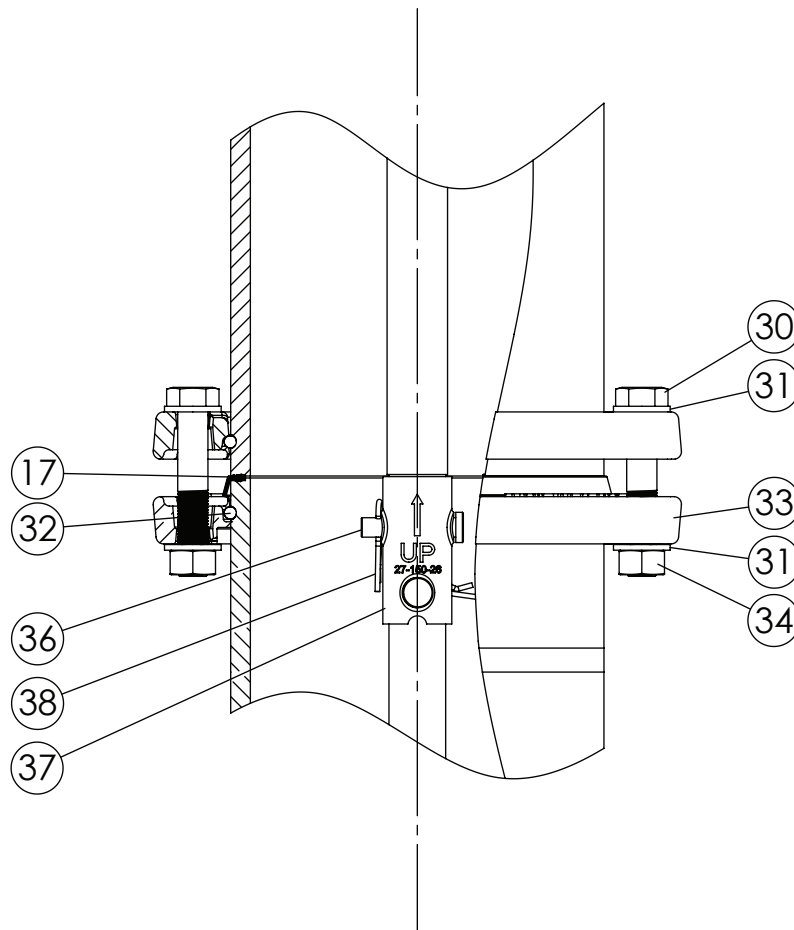


**AMERICAN AVK TRAFFIC SECTION REPAIR KIT
FOR DRY BARREL HYDRANTS**
For all AVK Dry Barrel Hydrants

**27/75X
DBHTRAFFIC**

Component List:

- | | |
|-------------------------|------------------------|
| 17. Barrel Gasket | 34. Nut |
| 30. Nozzle Section Bolt | 36. Coupler Pin |
| 31. Washer | 37. Breakable Coupling |
| 32. Lock Ring | 38. Spring Pin |
| 33. Breakable Flange | |



Ref. nos.	Content	Weight Lbs.
27-150-75-X-0-XX	Traffic section repair kit	24
	<p>X - Bolting</p> <p>1= Plated bolts for model 2700</p> <p>2= Stainless steel bolts for model 2700</p> <p>3= Plated bolts for model 2780</p> <p>4= Stainless steel bolts for model 2780</p>	
	<p>XX - Coating</p> <p>00 - 250my blue</p> <p>01 - 250my red</p> <p>04 - 250my yellow</p> <p>05 - Silver alu.</p> <p>06 - Red rust primer</p> <p>07 - Safety orange</p> <p>24 - Polyurethane HBF #IF5008, Red.</p> <p>36 - Lime Green</p> <p>90 - Uncoated</p>	

