



## “F” Series Terminators and Accessories

Our "F" series terminators are passive electronic circuitry designed to block 60 cycle and terminate RF signals on unused equipment ports. They are necessary to prevent impedance mismatches and minimize RF reflections and echoes. Unused active ports on trunk or feeder equipment should have a terminator installed. We offer a wide variety of terminators and drop accessories for a range of applications.

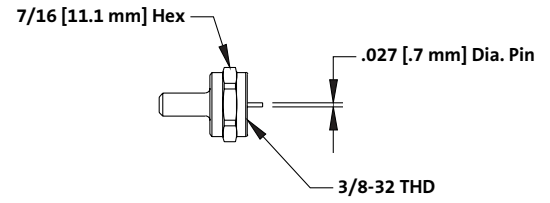
- "F" Port Terminators
- Security Sleeves and Tools
- Theft Proof Terminators
- Female to Female Splice (F81)
- Bonding Blocks
- Right Angle Adapters

# 75 Ω Terminators

---

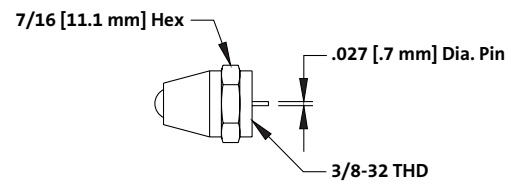
## 75 Ω Terminator

Part Number  
GTR-59-A



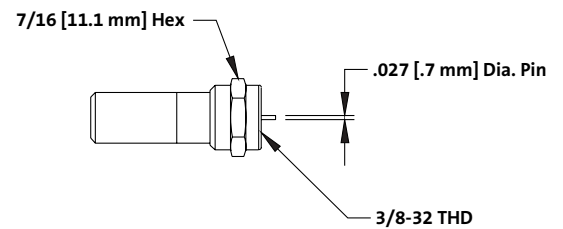
## 75 Ω Precision Terminator

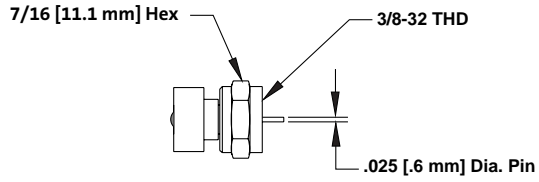
Part Number  
NS-3082-1



## 75 Ω Power Blocking Terminator

Part Number  
GTR-59-DCB  
Incorporates a capacitor to block 60 Hz AC Power



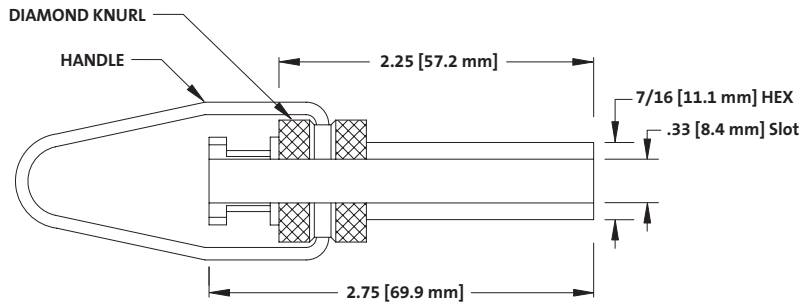


## 75 Ω Theft Proof Swivel Terminator

Part Number

GTR-59-S

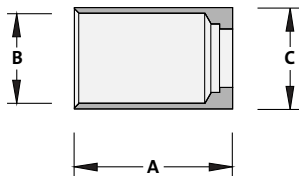
Designed for use with Security Shields and Security Shield Tool



## Security Shield Tool

Part Number

G-S-200



## Security Shield

Part Number	Material	(A)	(B)	(C)
NS-2412-13	Steel	1.030	.585	.660

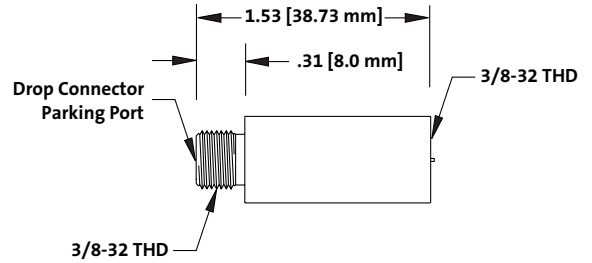
For use with Terminator and Security Shield Tool

# Theft Proof Terminators

## Theft Proof Terminator

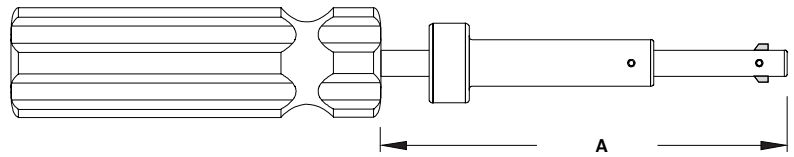
Part Number	Description
GTP-59	Resistor, Gasket
GTP-59-LR	No Resistor, Gasket
NS-5762-5	Resistor, Gasket, Silicone Grease
NS-5762-7	Resistor, Gasket, Ident. Groove
NS-3268-5	No Resistor, Gasket, Silicone Grease

Requires G-GTT-4 or G-GTT-7 tools for installation and removal



## Terminator Tool

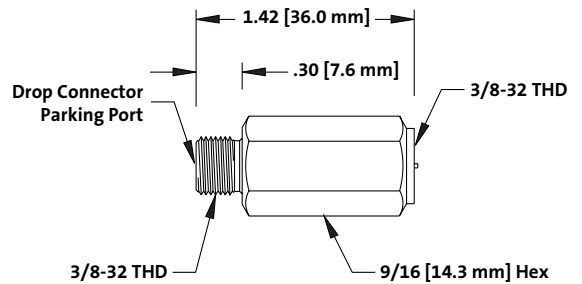
Part Number	A
G-GTT-4	2.27
G-GTT-7	3.93



## Theft Proof

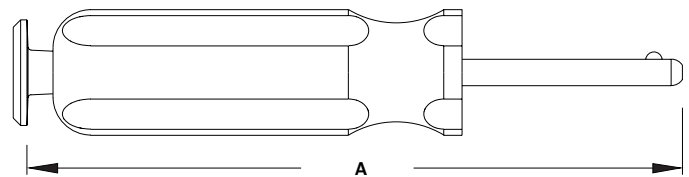
Part Number	Description
GTR-59-TP	Resistor, Gasket
GTP-59-TP-SP	No Resistor, Gasket

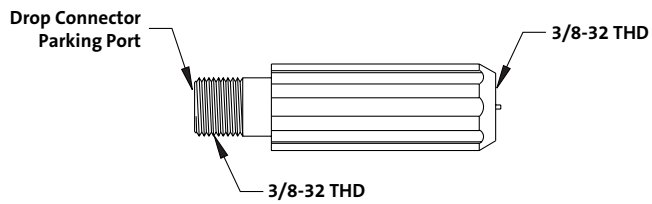
Requires IT-59-TP-S or IT-59-TP-L tools for installation and removal



## Terminator Tool

Part Number	A
IT-59-TP-S	6.00
IT-59-TP-L	8.00

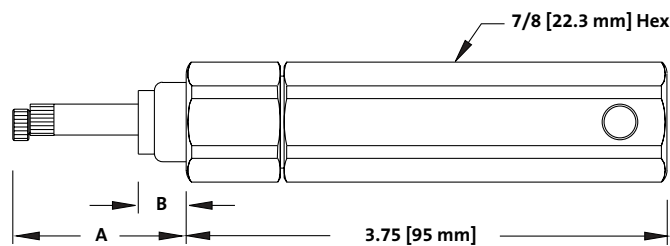




## Theft Proof Terminator

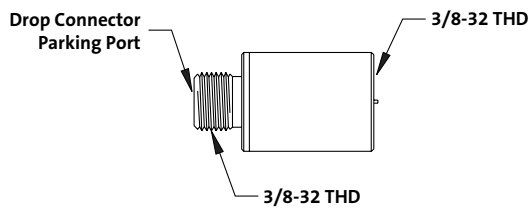
Part Number	Description
NS-5762-3	Resistor, No Gasket
NS-5762-9	No Resistor, No Gasket
NS-5762-11	Resistor, Gasket
NS-5762-13	No Resistor, Gasket

Requires NS-6270-1 or NS-6270-3 tools for installation and removal



## Terminator Tool

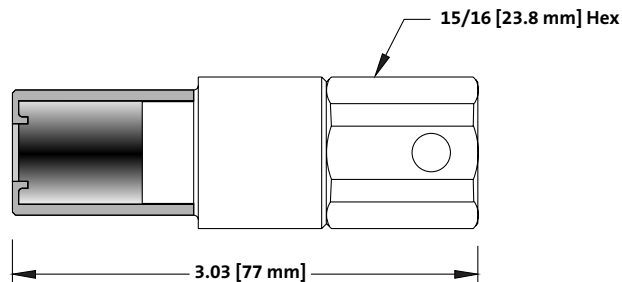
Part Number	A	B
NS-6270-1	1.74	.750
NS-6270-3	5.74	4.75



## Theft Proof

Part Number	Description
NS-7291-5	No Resistor, No Gasket
NS-7291-9	Resistor, No Gasket

Requires NS-7341-1 tool for installation and removal



## Terminator Tool

Part Number
NS-7341-1

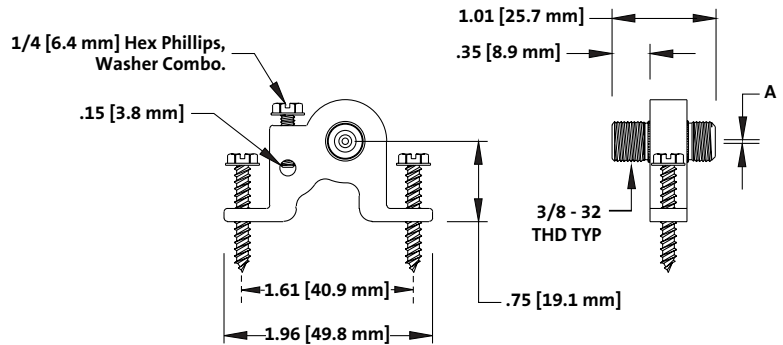
# Indoor Bonding Blocks

Bonding Block bodies are made of high quality, extruded, corrosion resistant aluminum alloy. The “F-81” connectors are machined brass with chromate conversion coating over cadmium plating and are installed in the extruded mounting bracket. All models include grounding wire screw(s) and two (2) mounting screws.

**Article 820-7 of the National Electrical Code requires that:**  
 “Where coaxial cable is exposed to lightning or to accidental contact with lightning arrester conductors or power conductors operating at a voltage of over 300 volts to ground, the outer conductive shield of the coaxial cable shall be grounded at the building premises as close to the point of cable entry as practicable.”  
**Bonding block numbers GGB-4U, GGB-4DU, GGB-4TSU, and GGB4D-TSU are designed to facilitate compliance with this requirement and are listed by Underwriters Laboratories, Inc.**

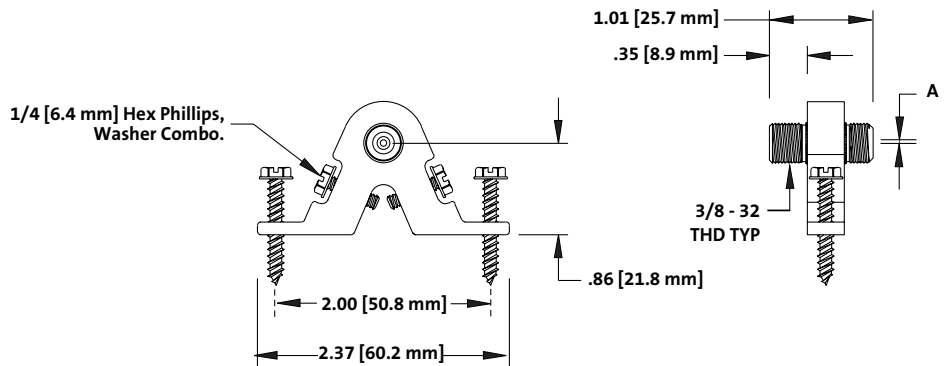
## Indoor Single

<b>Part Number</b>	<b>(A) Accepts</b>
GGB-4	.020 - .047
GGB-4U (UL Listed)	.020 - .047



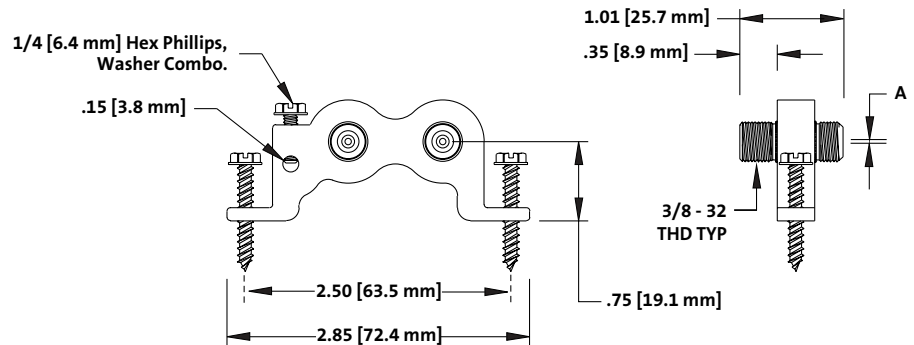
## Indoor Single

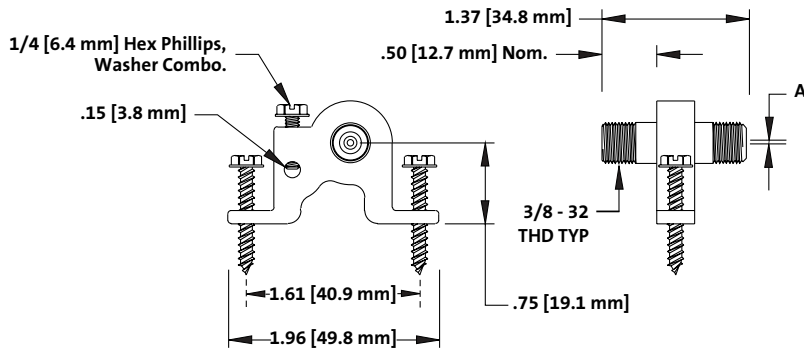
<b>Part Number</b>	<b>(A) Accepts</b>
NS-6056-1	.020 - .047



## Indoor Double

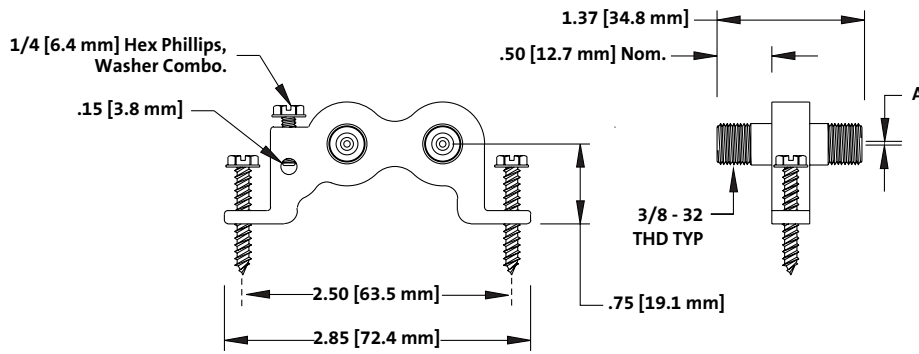
<b>Part Number</b>	<b>(A) Accepts</b>
GGB-4D	.020 - .047
GGB-4DU (UL Listed)	.020 - .047





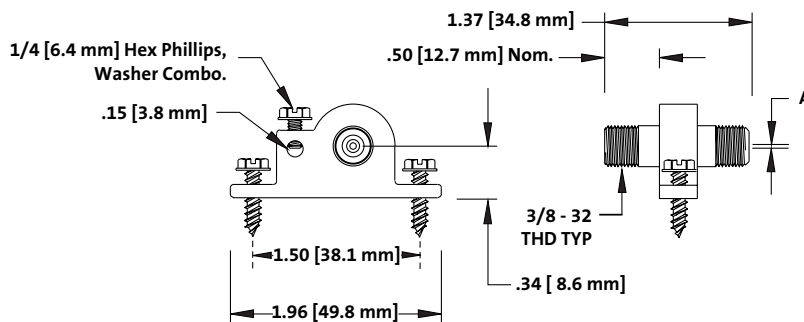
## Outdoor Single

Part Number	(A) Accepts
GGB-4TS	.022 - .051
GGB-4-TS-U (UL Listed)	.020 - .047



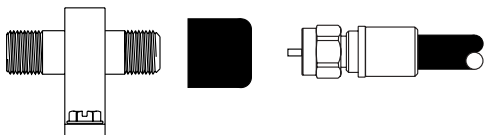
## Outdoor Double

Part Number	(A) Accepts
GGB-4D-TS	.022 - .051



## Outdoor Low Profile

Part Number	(A) Accepts
NS-5736-1	.020 - .047



### Outdoor Applications

- Push the seal ring (G-SR-1/2) onto outdoor port (see page 49 for seal ring info.)
- Install connector finger tight
- Using a wrench, tighten to system specifications

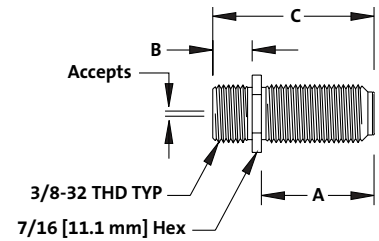


# Female “F” Splice

## Female Splice

Part Number	(A)	(B)	(C)	Accepts
GF-81	.72	.26	1.06	.020 - .047
GF-81-A	.48	.26	.81	.020 - .047
GF-81-S	.73	.26	1.13	.020 - .047

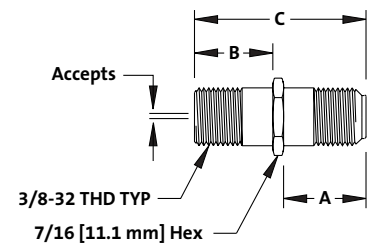
Spring Contact



## Female Splice

Part Number	(A)	(B)	(C)	Accepts
GF-81-TS	.510	.510	1.108	.020 - .047
GF-81-HP <sup>1</sup>	.510	.510	1.108	.020 - .051

Spring Contact

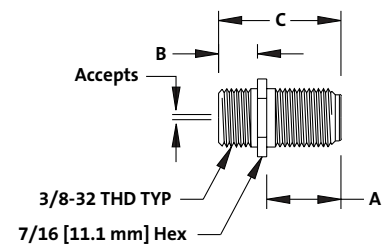


<sup>1</sup>High Performance Spring Contact for Superior Return Loss

## Female Splice

Part Number	(A)	(B)	(C)	Accepts
GF-81-HP-6	.470	.255	.785	.030 - .040
GF-81-HP-59	.470	.255	.785	.025 - .032

Spring Contact

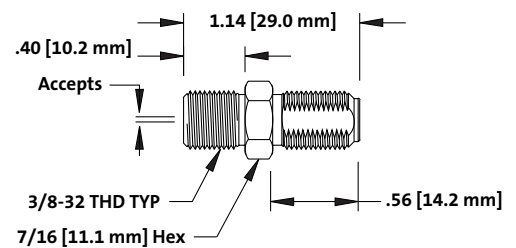


High Performance Spring Contact for Superior Return Loss

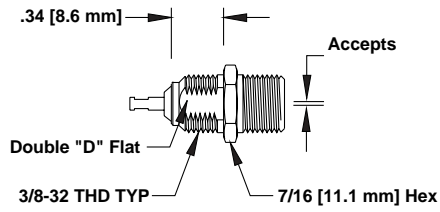
## Female Splice

Part Number	Accepts
GF-81-A-SP	.020 - .047

Spring Contact

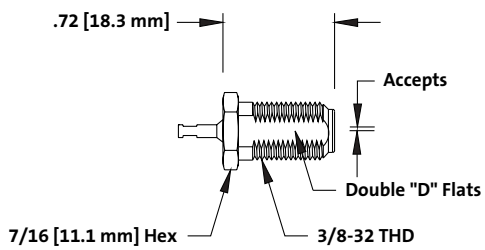






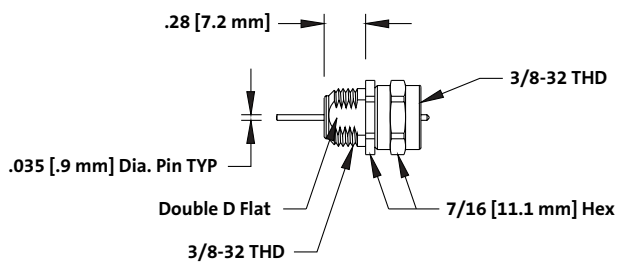
### Female Chassis

Part Number	Accepts
GF-61-A	.020 - .047



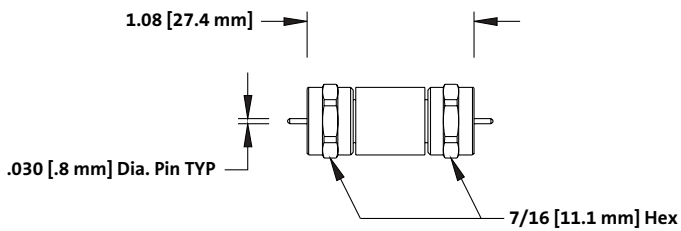
### Female Chassis

Part Number	Accepts
GF-61-AS	.020 - .047



### Male Chassis

Part Number
GF-59-CH-A



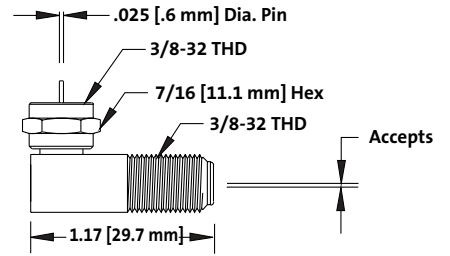
### “F” Male to “F” Male Splice

Part Number
GF-71-M

# "F" Series

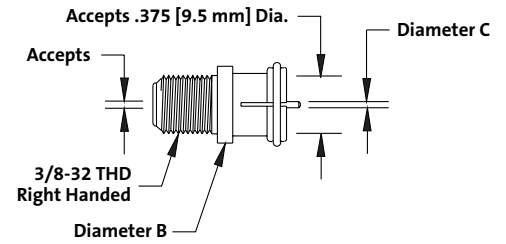
## 90 "F" Adapter

Part Number	Accepts
GF-MF/90	.020 - .047



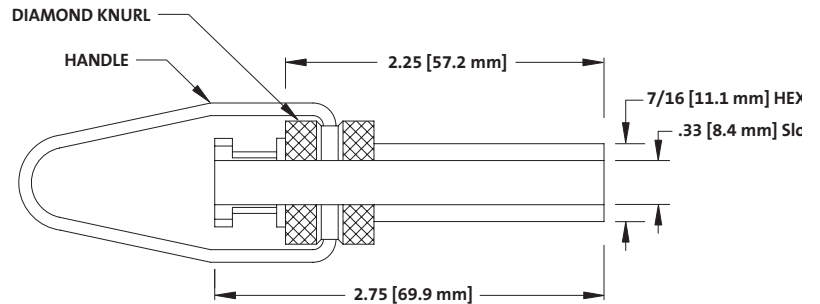
## "F" Push-On Adapter

Part Number	Accepts	Diameter B	Diameter C
GPF-59	.020 - .047	.500	.040
NS-2467-1	.023 - .030	.500	.025



## Security Shield Tool

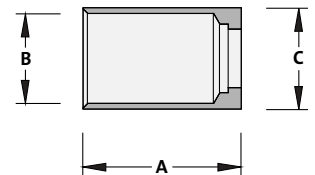
Part Number
G-S-200



## Security Shield

Part Number	Material	(A)	(B)	(C)
NS-2412-13	Steel	1.030	.585	.660

For use with Terminator and Security Shield Tool above





When installed on a standard "F" female port, (ANSI/SCTE-IPS-SP-400-1996), this product gives a weather resistant seal with any UltraSeal or Gilbert 360 series connector.

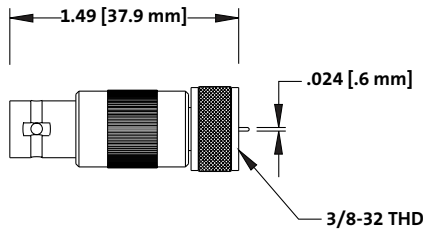


## Seal Ring

**Part Number**

G-SR-1/2

Contact our Technical Support Team for correct applications and for availability in other sizes



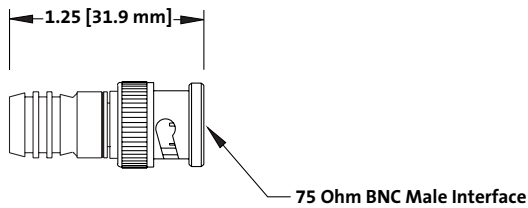
## BNC Female to "F" Male

**Part Number**

G-BNCF-FM

**Impedance**

75 Ohms



## Universal BNC Connector

**Part Number**

GA-BNC-59-AHS/USA-L

**Crimp Size**

.360 Hex

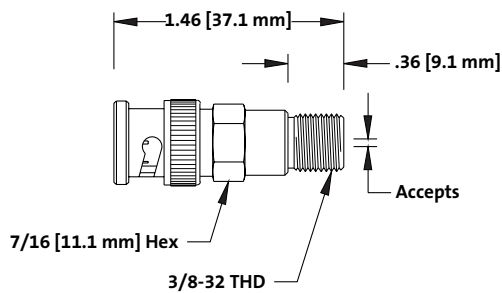
**Cable Type**

59 Series 40% - Quad

GA-BNC-6-AHS/USA-L

.360 Hex

6 Series 40% - Quad



## BNC Male to "F" Female

**Part Number**

G-BNCF-MF

**Impedance**

75 Ohms

**Accepts**

.020 - .047